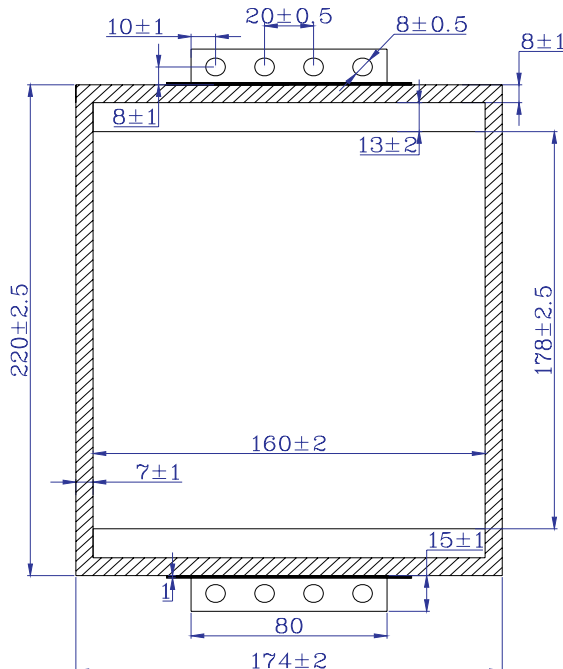


Data Sheet for EPS-XP20C

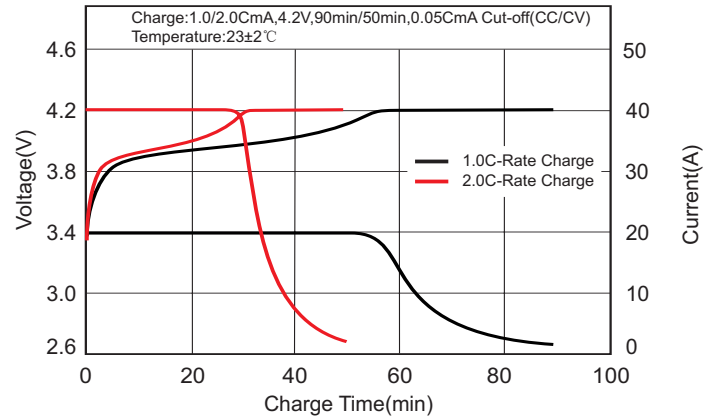
Specifications

Part No.		EPS-XP20C
Chemistry System		LCO
Nominal Capacity		20Ah
Nominal Voltage		3.7V
Weight(Approx.g)		535 ± 40
Energy Density (Wh/Kg)		138
AC-Impedance(mΩ) at 1KHz		Max 1.0
Mainstay Dimensions	Thickness	9.0 ± 0.5mm
	Width	160 ± 2.0mm
	Length	220 ± 2.5mm
Nominal Charge Condition	Current	10A(0.5C)
	Voltage	4.2V
	Cut-off Current	1A(C/20)
	Ending Time	2.5h
Nominal Discharge	Current	20A(1C)
	Cut-off Voltage	3.0V
Max.Charge Current		40A(2C)
Max Discharge Current	Continuous	200A(10C)
	Burst(3Sec)	400A(20C)
Temperature Condition	Charge	0~45°C
	Discharge	-20~60°C
	Storage	-20~35°C

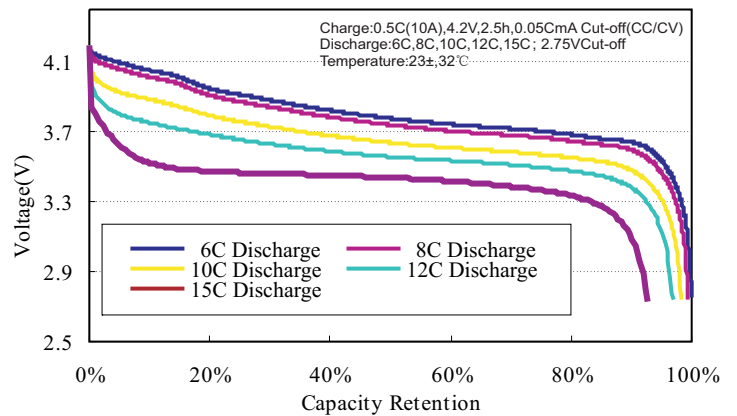
Dimensions(mm)



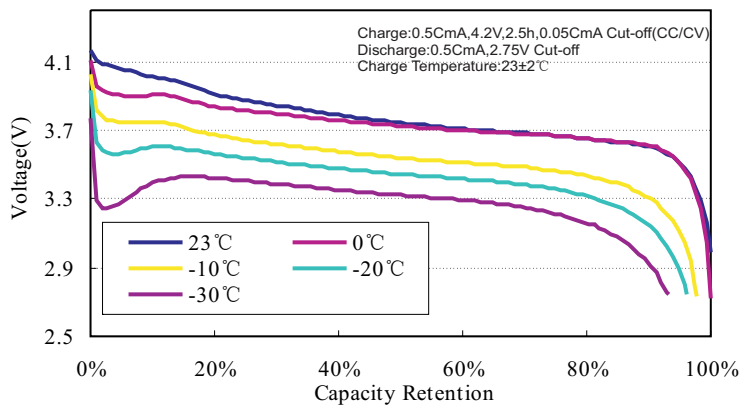
Charge Characteristics



Discharge Rate Characteristics



Discharge Temperature Characteristics



Cycle Life Characteristics

